



SpecSeal® SSW BLU/BLU2 Intumescent Wrap Strip

SpecSeal® Wrap Strips are highly flexible, elastomeric strips designed to firestop combustible penetrations in fire-rated floors, floor/ceilings, and walls. Convenient 12 ft (3.7 m) rolls, or individually sized strips facilitate installation and minimize waste.

These products utilize STI's fast responding intumescent technology, providing very responsive and highly directionalized expansion. Rapid expansion provides quick closure for burning combustible penetrants.

When exposed to temperatures in excess of 250°F (121°C), the SpecSeal® Wrap Strip begins to expand (intumesce) rapidly to form a dense, highly insulative char. Free expansion varies according to the grade utilized (See Table A). Expansion continues up to temperatures of 1,000°F (538°C).

Applications

SpecSeal® Wrap Strips are used for firestopping combustible penetrants such as nonmetallic pipes or pipe insulation. Installations were developed for both "tuck-in" applications (where strips are secured around the penetrant and slid into the opening) and restraining collar assemblies (for surface mounting). For larger openings or complex penetrant configurations, systems were developed utilizing wrap strips in conjunction with other SpecSeal® products. SpecSeal® Wrap Strips are suitable for use in all common forms of construction including concrete floors, concrete over steel deck, concrete walls, concrete block walls, gypsum board/stud walls, and wood floor/ceiling assemblies.

Specifications

The wrap strip material shall be a highly flexible, intumescent material. The wrap strip shall contain no water soluble expansion ingredients and provide a minimum of 20x free expansion. The intumescent wrap strip shall be faced on each side with plastic. The specified material shall be approved for a wide range of applications including combustible and noncombustible penetrants when used by itself or in combination with other products from the same manufacturer. The wrap strip shall be UL Certified and tested to the requirements of ASTM E814 (UL 1479), CAN/ULC-S115.

Specified Divisions

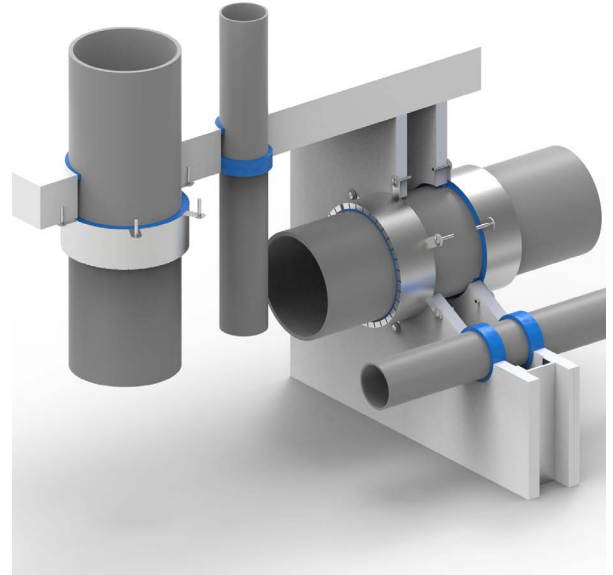
Division 7	07 84 13	Penetration Firestopping
Division 22	22 00 00	Plumbing

Performance

SpecSeal® Wrap Strips are the basis for systems that meet the exacting criteria of ASTM E814 (UL 1479), CAN/ULC-S115. Systems were tested for all common forms of construction and penetrants with ratings up to 4 hours (dependent upon grade of wrap strip utilized).

Maintenance

Inspection: Installations should be inspected periodically for subsequent damage. Any damage should be repaired using SpecSeal® products per the original approved design.



Features & Benefits

- Rapid expansion - closes off burning penetrants faster
- High volume char - significant expansion seals off opening
- Water-resistant - no soluble or hygroscopic ingredients
- economical - 12' (3.7 m) rolls or precut strips means no piecing, less waste
- Highly flexible - no foil, easier to install
- Versatile - performer for a wide range of complex applications



SpecSeal® SSW BLU/BLU2 Intumescent Wrap Strip



System Selection

To find your firestop system or create a submittal, visit <https://systems.stifirestop.com/> to use System Search & Submittal Builder. You may also visit the [UL Online Certifications Directory/UL Product iQ™](#) for complete listings. (Firestop Systems).

Technical Service

Specified Technologies Inc. provides toll free technical support to assist in product selection and appropriate installation design. UL System designs suitable for submittal or specification purposes are available on request. A complete library of technical information is provided at the company's website www.stifirestop.com including Safety Data Sheets (SDS's).

Precautionary Information

Consult Safety Data Sheet (SDS) for additional information on the safe handling and disposal of this material. Wash areas of skin contact with soap and water. Avoid contact with eyes.

TABLE A: PHYSICAL PROPERTIES

Catalog Number	SSWBLU	SSWBLU2	SSWBLU220	SSWBLU230	SSWBLU240
Color	Blue	Blue	Blue	Blue	Blue
Thickness	3/16" (4.8 mm)	1/8" (3.2 mm)	1/8" (3.2 mm)	1/8" (3.2 mm)	1/8" (3.2 mm)
Width	2" (51 mm)	2" (51 mm)	1-1/2" (38 mm)	3" (76 mm)	4" (102 mm)
Length (min.)	12' (3.7 m)	12' (3.7 m)	8" (203 mm)	11-1/4" (286 mm)	14-3/4" (375 mm)
Weight (min.)	2.87 lbs (1.30 kg)	1.71 lbs (0.77 kg)	0.08 lbs (0.04 kg)	0.22 lbs (0.10 kg)	0.37 lbs (0.17 kg)
Expansion System	Two-Stage	Single-Stage	Single-Stage	Single-Stage	Single-Stage
Expansion Begins	1 st Stage 250°F (121°C) 2 nd Stage 350°F (177°C)	320°F (160°C)	320° F (160°C)	320° F (160°C)	320° F (160°C)
Volume Expansion	20x to 30x	30x to 60x	30x to 60x	30x to 60x	30x to 60x
Mold & Fungus Growth Rating (ASTM G21)	0	0	0	0	0
In Service Temperature	Less than 130°F (54°C)	Less than 130°F (54°C)	Less than 130°F (54°C)	Less than 130°F (54°C)	Less than 130°F (54°C)
Storage Temperature	Less than 130°F (54°C)	Less than 130°F (54°C)	Less than 130°F (54°C)	Less than 130°F (54°C)	Less than 130°F (54°C)
Shelf Life	No Limit	No Limit	No Limit	No Limit	No Limit
Oven Aging	No Change 140°F (60°C)	No Change 140°F (60°C)	No Change 140°F (60°C)	No Change 140°F (60°C)	No Change 140°F (60°C)
Humidity Exposure	No Change 60°C (98% R.H.)	No Change 60°C (98% R.H.)	No Change 60°C (98% R.H.)	No Change 60°C (98% R.H.)	No Change 60°C (98% R.H.)
UL Accelerating Aging	Pass	Pass	Pass	Pass	Pass

SpecSeal® SSW BLU/BLU2 Intumescent Wrap Strip



WRAP STRIP AND RESTRAINING COLLAR REQUIREMENTS

Wrap Strip Type		BLU2	BLU	BLU2	BLU	BLU2	BLU	BLU2	BLU	BLU2	BLU	BLU2	BLU	BLU2	BLU	BLU2	BLU	BLU2	BLU	BLU2	BLU
Trade Size (in.)	Pipe OD (in.)	1 st Layer		2 nd Layer		3 rd Layer		4 th Layer		5 th Layer		6 th Layer		7 th Layer		8 th Layer		Total		RC	
1.5	1.9	6.8	7.1	-	-	-	-	-	-	-	-	-	-	-	-	-	-	6.8	7.1	7.9	8.3
2.0	2.375	8.3	8.7	-	-	-	-	-	-	-	-	-	-	-	-	-	-	8.3	8.7	9.5	9.9
2.5	2.875	9.9	10.3	10.7	11.5	-	-	-	-	-	-	-	-	-	-	-	-	20.6	21.8	11.9	12.8
3.0	3.5	11.8	12.2	12.6	13.4	-	-	-	-	-	-	-	-	-	-	-	-	24.3	25.5	13.9	14.7
3.5	4.0	13.4	13.7	14.1	14.9	14.9	16.1	-	-	-	-	-	-	-	-	-	-	42.4	44.8	16.3	17.5
4.0	4.5	14.9	15.3	15.7	16.5	16.5	17.7	-	-	-	-	-	-	-	-	-	-	47.1	49.5	17.9	19.1
6.0	6.625	21.6	22.0	22.4	23.2	23.2	24.3	-	-	-	-	-	-	-	-	-	-	134.3 ¹	139.0 ¹	24.7 ¹	26.0 ¹
8.0	8.625	27.9	28.3	28.7	29.5	29.5	30.6	30.2	31.8	-	-	-	-	-	-	-	-	232.5 ²	240.3 ²	31.1 ²	32.8 ²
10.0	10.75	34.6	35.0	35.3	36.1	36.1	37.3	36.9	38.5	-	-	-	-	-	-	-	-	357.4 ³	367.2 ³	38.0 ³	39.6 ³
12.0	12.75	40.8	41.2	41.6	42.4	42.4	43.6	43.2	44.8	44.0	45.9	-	-	-	-	-	-	530.1 ⁴	544.9 ⁴	45.3 ⁴	47.3 ⁴
14.0	14.0	44.8	45.2	45.6	46.3	46.3	47.5	47.1	48.7	47.9	49.9	48.7	51.1	49.5	52.2	50.0	53.4	950.5 ⁵	985.8 ⁵	52.0 ⁵	55.4 ⁵

¹ Requires 2 stacks of 3 layers of wrap strip and WSC8 restraining collar (4" depth).
² Requires 2 stacks of 4 layers of wrap strip and WSC8 restraining collar (4" depth).
³ Requires 2-1/2 stacks of 4 layers of wrap strip and WSC12 restraining collar (5" depth).
⁴ Requires 2-1/2 stacks of 5 layers of wrap strip and WSC12 restraining collar (5" depth).
⁵ Requires 2-1/2 stacks of 8 layers of wrap strip and two layers of WSC12 restraining collar (5" depth).

Availability

SpecSeal® Wrap Strips are available from Specified Technologies Inc. (STI) authorized distributors. For additional purchasing and technical information or for the names and locations of the nearest representative and/or distributor, regarding this and other Specified Technology products, please call 1-800-992-1180 or visit www.stifirestop.com.

ORDERING INFORMATION

Catalog Number	UPC Number	Size	(UOM) Qty.	Case Qty.	Weight (Each)
SSWBLU	730573037010	12' (3.7 m) x 2" (51 mm) x 3/16" (4.8 mm) roll	1	8	2.87 lbs (1.30 kg)
SSWBLU2	730573037119	12' (3.7 m) x 2" (51 mm) x 1/8" (3.2 mm) roll	1	8	1.71 lbs (0.77 kg)
SSWRC	730573037508	2" (50.8 mm) width 30 Gauge sheet metal restraining collar for ≤4" (102 mm) trade size pipe, 25' (7.6 m) roll	1	1	6.47 lbs (2.93 kg)
WSC-8	730573037539	4" (101.6 mm) width preformed restraining collar for 6" (152 mm) and 8" (204 mm) trade size pipe	1	1	1.51 lbs (0.68 kg)
WSC-12	730573037607	5" (127 mm) width preformed restraining collar for 8" (204 mm) trade size pipe and larger	1	1	3.15 lbs (1.43 kg)

PRECUT WRAP STRIPS

SSWBLU220	730573037201	Precut strip sized for 2" (51 mm) trade size pipe	1	100	0.08 lbs (0.04 kg)
SSWBLU230	730573037300	Precut strip sized for 3" (76 mm) trade size pipe	1	100	0.22 lbs (0.10 kg)
SSWBLU240	730573037409	Precut strip sized for 4" (102 mm) trade size pipe	1	100	0.37 lbs (0.17 kg)

IMPORTANT NOTICE: ALL STATEMENTS, TECHNICAL INFORMATION, AND RECOMMENDATIONS CONTAINED HEREIN ARE BASED UPON TESTING BELIEVED TO BE RELIABLE, BUT THE ACCURACY AND COMPLETENESS THEREOF IS NOT GUARANTEED.

STI TYPICALLY WARRANTIES ITS PRODUCTS FOR ONE FULL YEAR. FOR COMPLETE DETAILS OF OUR STANDARD WARRANTY, PLEASE VISIT WWW.STIFIRESTOP.COM/LEGAL/WARRANTY

MADE IN THE USA - © 2020 SPECIFIED TECHNOLOGIES INC.

