



SpecSeal® SSW Gray Intumescent Wrap Strip

SpecSeal® Wrap Strips are highly flexible, elastomeric strips designed to firestop combustible penetrations in fire-rated floors, floor/ceilings, and walls. Convenient 12 ft (3.7 m) rolls, or individually sized strips facilitate installation and minimize waste.

These products utilize STI's fast responding intumescent technology, providing very responsive and highly directionalized expansion. Rapid expansion provides quick closure for burning combustible penetrants.

When exposed to temperatures in excess of 250°F (121°C), the SpecSeal® Wrap Strip begins to expand (intumesce) rapidly to form a dense, highly insulative char. Free expansion varies according to the grade utilized (See Table A). Expansion continues up to temperatures of 1,000°F (538°C).

Applications

SpecSeal® Wrap Strips are used for firestopping combustible penetrants such as nonmetallic pipes or pipe insulation. Installations were developed for both "tuck-in" applications (where strips are secured around the penetrant and slid into the opening) and restraining collar assemblies (for surface mounting). For larger openings or complex penetrant configurations, systems were developed utilizing wrap strips in conjunction with other SpecSeal® products. SpecSeal® Wrap Strips are suitable for use in all common forms of construction including concrete floors, concrete over steel deck, concrete walls, concrete block walls, gypsum board/stud walls, and wood floor/ceiling assemblies.

Specifications

The wrap strip material shall be a highly flexible, intumescent material. The wrap strip shall contain no water soluble expansion ingredients and provide a minimum of 30x free expansion. The intumescent wrap strip shall be faced on each side with plastic. The specified material shall be approved for a wide range of applications including combustible and noncombustible penetrants when used by itself or in combination with other products from the same manufacturer. The wrap strip shall be UL Certified and tested to the requirements of ASTM E814 (UL1479) and CAN/ULC-S115.

Specified Divisions

| | | |
|-------------|----------|---------------------------|
| Division 7 | 07 84 13 | Penetration Firestopping |
| Division 22 | 22 00 00 | Firestopping for Plumbing |

Performance

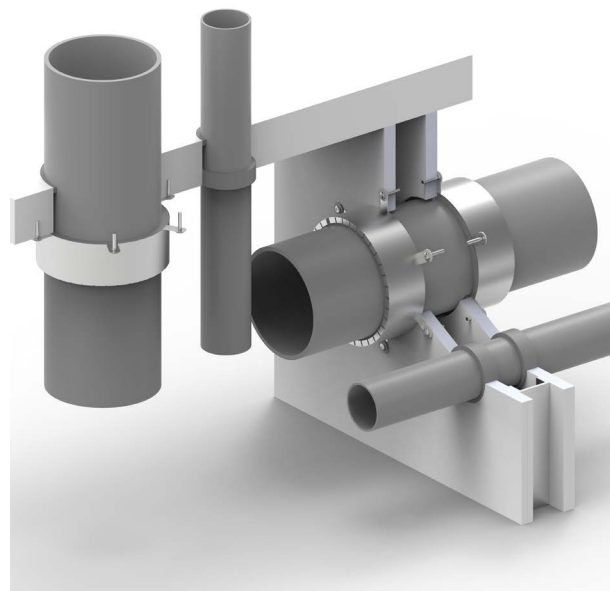
SpecSeal® Wrap Strips are the basis for systems that meet the exacting criteria of ASTM E814 (UL1479) and CAN/ULC-S115. Systems were tested for all common forms of construction and penetrants with ratings up to 4 hours (dependent upon grade of wrap strip utilized).

Maintenance

Inspection: Installations should be inspected periodically for subsequent damage. Any damage should be repaired using SpecSeal® products per the original approved design.

System Selection

To find your firestop system or create a submittal, visit <https://systems.stifirestop.com/> to use System Search & Submittal Builder. You may also visit the [UL Online Certifications Directory/UL Product iQ™](#) for complete listings. (Firestop Systems).



Features & Benefits

- Rapid expansion - closes off burning penetrants faster
- High volume char - significant expansion seals off opening
- Water-resistant - no soluble or hygroscopic ingredients
- Economical - 12 ft (3.7 m) rolls or precut strips means no piecing, less waste
- Highly flexible - no foil, easier to install
- Versatile - performer for a wide range of complex applications



SpecSeal® SSW Gray Intumescent Wrap Strip



Technical Service

Specified Technologies Inc. provides toll free technical support to assist in product selection and appropriate installation design. UL System designs suitable for submittal or specification purposes are available on request. A complete library of technical information is provided at the company's website www.stifirestop.com including Safety Data Sheets (SDS's).

Precautionary Information

Consult Safety Data Sheet (SDS) for additional information on the safe handling and disposal of this material. Wash areas of skin contact with soap and water. Avoid contact with eyes.

TABLE A: PHYSICAL PROPERTIES

| Catalog Number | SSW125 | SSW250 | SSW375 | SSW375-12 | SSW1569 | SSW2538 |
|--|------------------------------|------------------------------|------------------------------|------------------------------|------------------------------|------------------------------|
| Color | Gray | Gray | Gray | Gray | Gray | Gray |
| Thickness | 1/8" (3.2 mm) | 1/4" (6.4 mm) | 3/8" (9.5 mm) | 3/8" (9.5 mm) | 11/16" (18 mm) | 3/8" (9.5 mm) |
| Width | 1-1/2" (38 mm) | 1-1/2" (38 mm) | 1-1/2" (38 mm) | 1-1/2" (38 mm) | 1-1/2" (38 mm) | 2-1/2" (64 mm) |
| Length (min.) | 8-1/16" (205 mm) | 12-1/16" (306 mm) | 15-15/16" (405 mm) | 12' (3.7 m) | 12' (3.7 m) | 12' (3.7 m) |
| Weight (min.) | 0.07 lbs (0.03 kg) | 0.21 lbs (0.10 kg) | 0.40 lbs (0.18 kg) | 3.71 lbs (1.68 kg) | 6.31 lbs (2.86 kg) | 6.93 lbs (3.14 kg) |
| Expansion System | Single-Stage | Single-Stage | Single-Stage | Single-Stage | Single-Stage | Single-Stage |
| Expansion Begins | 320°F (160°C) | 320°F (160°C) | 320°F (160°C) | 320°F (160°C) | 320°F (160°C) | 320°F (160°C) |
| Volume Expansion | 30x to 60x | 30x to 60x | 30x to 60x | 30x to 60x | 30x to 60x | 30x to 60x |
| Mold & Fungus Growth Rating (ASTM G21) | 0 | 0 | 0 | 0 | 0 | 0 |
| In Service Temperature | Less than 130°F (54°C) | Less than 130°F (54°C) | Less than 130°F (54°C) | Less than 130°F (54°C) | Less than 130°F (54°C) | Less than 130°F (54°C) |
| Storage Temperature | Less than 130°F (54°C) | Less than 130°F (54°C) | Less than 130°F (54°C) | Less than 130°F (54°C) | Less than 130°F (54°C) | Less than 130°F (54°C) |
| Shelf Life | No Limit | No Limit | No Limit | No Limit | No Limit | No Limit |
| Oven Aging | No Change 140°F (60°C) | No Change 140°F (60°C) | No Change 140°F (60°C) | No Change 140°F (60°C) | No Change 140°F (60°C) | No Change 140°F (60°C) |
| Humidity Exposure | No Change 60°C (98% R.H.) | No Change 60°C (98% R.H.) | No Change 60°C (98% R.H.) | No Change 60°C (98% R.H.) | No Change 60°C (98% R.H.) | No Change 60°C (98% R.H.) |
| UL Accelerating Aging | Pass | Pass | Pass | Pass | Pass | Pass |

SpecSeal® SSW Gray Intumescent Wrap Strip



WRAP STRIP AND RESTRAINING COLLAR REQUIREMENTS

| Wrap Strip Type | Trade Size (in.) | Pipe OD (in.) | 1st Layer (in.) | 2nd Layer (in.) | Total Wrap Strip Length per Stack (in.) | Restraining Collar Length (in.) |
|--------------------|------------------|---------------|-----------------|-----------------|---|---------------------------------|
| SSW1569 | 6 | 6.625 | 25.1 | - | 25.1 ¹ | 27.1 ¹ |
| | 6 | 6.625 | 23.2 | 25.5 | 48.7 | 27.5 |
| SSW375-12, SSW2538 | 8 | 8.625 | 29.5 | 31.8 | 61.3 ² | 33.8 ² |
| | 10 | 10.75 | 36.1 | 38.5 | 74.6 ³ | 40.5 ³ |
| | 12 | 12.75 | 42.4 | 44.8 | 87.2 ³ | 46.8 ³ |

¹Requires 1 stack of 1 layer of wrap strip and SSWRC2 restraining collar (1-1/2" depth).
²Requires 1 stack of 2 layers of wrap strip and SSWRC3 restraining collar (2-1/2" depth).
³Requires 2 stacks of 2 layers of wrap strip and WSC12 restraining collar (5" depth).

Availability

SpecSeal® Wrap Strips are available from Specified Technologies Inc. (STI) authorized distributors. For additional purchasing and technical information or for the names and locations of the nearest representative and/or distributor, regarding this and other Specified Technology products, please call 1-800-992-1180 or visit www.stifirestop.com.

ORDERING INFORMATION

| Catalog Number | UPC Number | Size | (UOM) Qty. | Case Qty. | Weight (Each) |
|----------------|--------------|---|------------|-----------|--------------------|
| SSW1569 | 730573037980 | 12' x 1-1/2" x 11/16" (3.7 m x 38 mm x 17.5 mm) roll | 1 | 6 | 6.31 lbs (2.86 kg) |
| SSW2538 | 730573037973 | 12' x 2-1/2" x 3/8" (3.7 m x 64 mm x 9.5 mm) roll | 1 | 6 | 6.93 lbs (3.14 kg) |
| SSW375-12 | 730573037966 | 12' x 1-1/2" x 3/8" (3.7 m x 38 mm x 9.5 mm) roll | 1 | 12 | 3.71 lbs (1.68 kg) |
| SSWRC2 | 730573037522 | 1-1/2" width 30 Gauge sheet metal restraining collar for ≤6" (152 mm) trade size pipe, 25' (7.6 m) roll | 1 | 1 | 5.19 lbs (2.35 kg) |
| SSWRC3 | 730573037553 | 2-1/2" width 30 Gauge sheet metal restraining collar for 8" (204 mm) trade size pipe, 25' (7.6 m) roll | 1 | 1 | 6.40 lbs (2.90 kg) |

PRECUT WRAP STRIPS ORDERING INFORMATION

| | | | | | |
|--------|--------------|--|---|-----|--------------------|
| SSW125 | 730573031254 | 1-1/2" (38 mm) x 1/8" (3.2 mm) strip sized for 2" (51 mm) trade size pipe | 1 | 540 | 0.07 lbs (0.03 kg) |
| SSW250 | 730573032503 | 1-1/2" (38 mm) x 1/4" (6.4 mm) strip sized for 3" (76 mm) trade size pipe | 1 | 160 | 0.21 lbs (0.10 kg) |
| SSW375 | 730573033753 | 1-1/2" (38 mm) x 3/8" (9.5 mm) strip sized for 4" (102 mm) trade size pipe | 1 | 150 | 0.40 lbs (0.18 kg) |

IMPORTANT NOTICE: ALL STATEMENTS, TECHNICAL INFORMATION, AND RECOMMENDATIONS CONTAINED HEREIN ARE BASED UPON TESTING BELIEVED TO BE RELIABLE, BUT THE ACCURACY AND COMPLETENESS THEREOF IS NOT GUARANTEED.

STI TYPICALLY WARRANTIES ITS PRODUCTS FOR ONE FULL YEAR. FOR COMPLETE DETAILS OF OUR STANDARD WARRANTY, PLEASE VISIT WWW.STIFIRESTOP.COM/LEGAL/WARRANTY

MADE IN THE USA - © 2020 SPECIFIED TECHNOLOGIES INC.

